

- NOTES:
- ALL DIMENSIONS ARE APPROXIMATE: INCHES [MM].
 - ACCESS PANEL SHOULD BE MINIMUM 4.8" FROM WALL TO ALLOW FOR SERVICING.



PROPRIETARY AND CONFIDENTIAL
THE INFORMATION CONTAINED IN
THIS DRAWING IS THE SOLE
PROPERTY OF ALVARADO
INDUSTRIAL MANUFACTURING
CORPORATION. ANY
REPRODUCTION IN PART OR AS A
WHOLE WITHOUT THE WRITTEN
CONSENT OF ALVARADO
INDUSTRIAL MANUFACTURING INC. IS
PROHIBITED.

ALVARADO

Alvarado Mfg. Co. Inc.
12860 Colony Street, Chino, CA 91710
909.591.8431 - 909.525.1403 (Fax)
www.alvaradomfg.com

TITLE:
**SW1000, LOW HEIGHT
BARRIER**

NAME	DATE	SIZE	DWG. NO.	REV
DRAWN				
CHECKED				
ENGR				
NAME	DATE	SIZE	DWG. NO.	REV
RGH	4/23/2013	B	PEF-358	A

DO NOT SCALE DRAWING

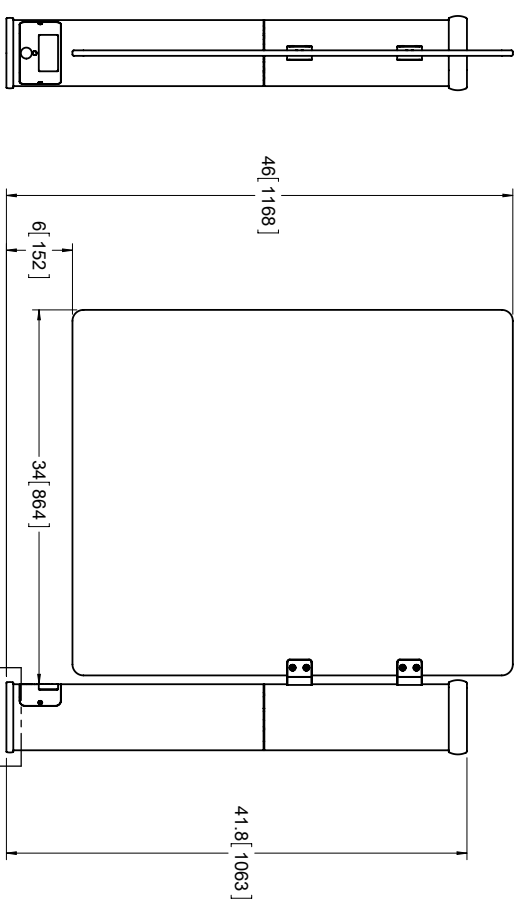
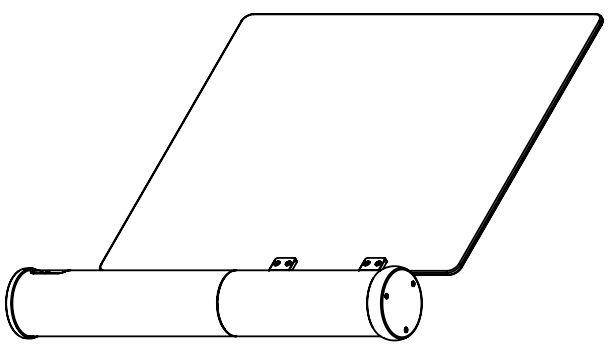
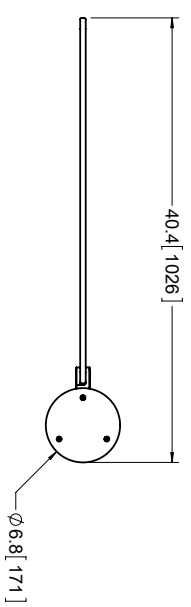
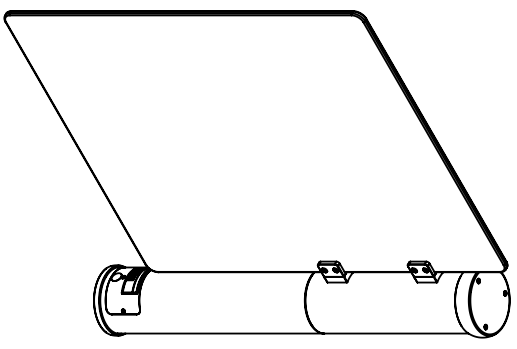
ENGR

SDA

4/23/2013

SCALE: 1:10

SHEET 1 OF 1



THIRD ANGLE PROJECTION

NOTES:
1. ALL DIMENSIONS ARE APPROXIMATE AND IN INCHES [mm].

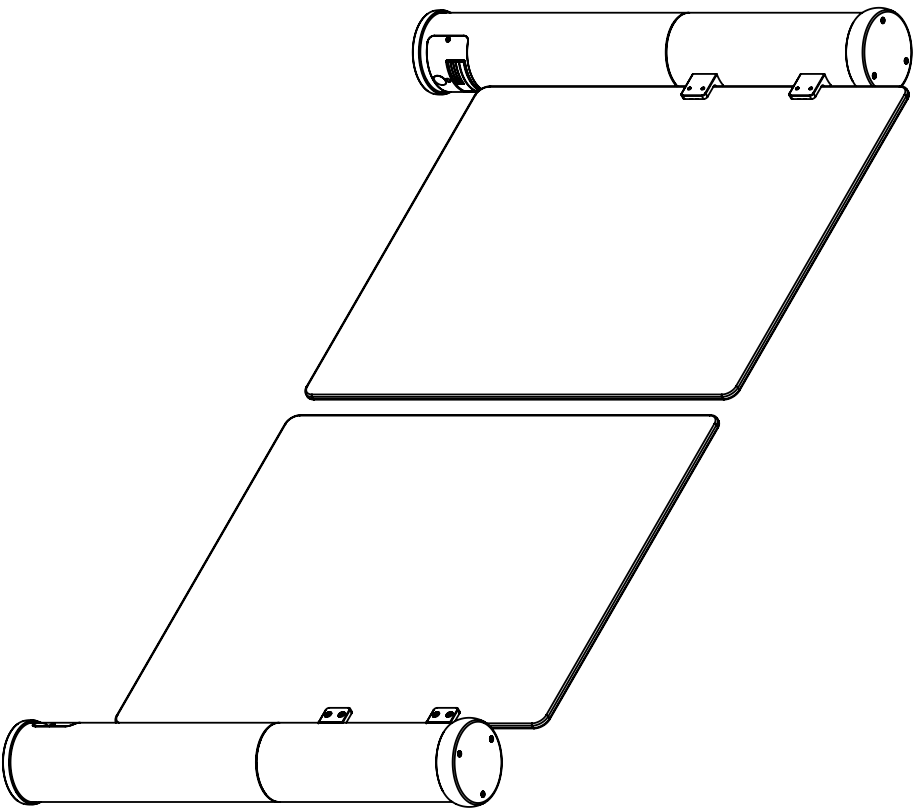
ALVARADO
 12860 Colony Street, China, CA 91710
 909 591 8431 - 909 628 1403 (Fax)
 www.alvaradoinc.com

SW1000, MID HEIGHT BARRIER

NAME	DATE	SIZE	DWG. NO.	REV
RGH	2/15/2016	B	PEF-570	A

TITLE:				
DRAWN	CHECKED	ENGR	SCALE: 1:12	SHEET 1 OF 2
NAME	DATE	SIZE	DWG. NO.	REV
RGH	2/15/2016	B	PEF-570	A

PROPRIETARY AND CONFIDENTIAL
 THE INFORMATION CONTAINED IN
 THIS DRAWING IS THE SOLE
 PROPERTY OF ALVARADO
 INC. AND IS TO BE USED ONLY FOR
 REPRODUCTION IN PART OR AS A
 WHOLE WITHOUT THE WRITTEN
 PERMISSION OF ALVARADO
 MANUFACTURING, INC. IS
 PROHIBITED.
 DO NOT SCALE DRAWING



- NOTES:
1. ALL DIMENSIONS ARE APPROXIMATE AND IN INCHES [mm].



THIRD ANGLE PROJECTION

PROPRIETARY AND CONFIDENTIAL
 THE INFORMATION CONTAINED IN
 THIS DRAWING IS THE SOLE
 PROPERTY OF ALVARADO
 MANUFACTURING, INC. ANY
 REPRODUCTION IN PART OR AS A
 WHOLE WITHOUT THE WRITTEN
 PERMISSION OF ALVARADO
 MANUFACTURING, INC. IS
 PROHIBITED.

DO NOT SCALE DRAWING



Alvarado Mfg. Co. Inc.
 12860 Colony Street, Chino, CA 91710
 909.591.8431 - 909.628.1403 (Fax)
www.alvaradomfg.com

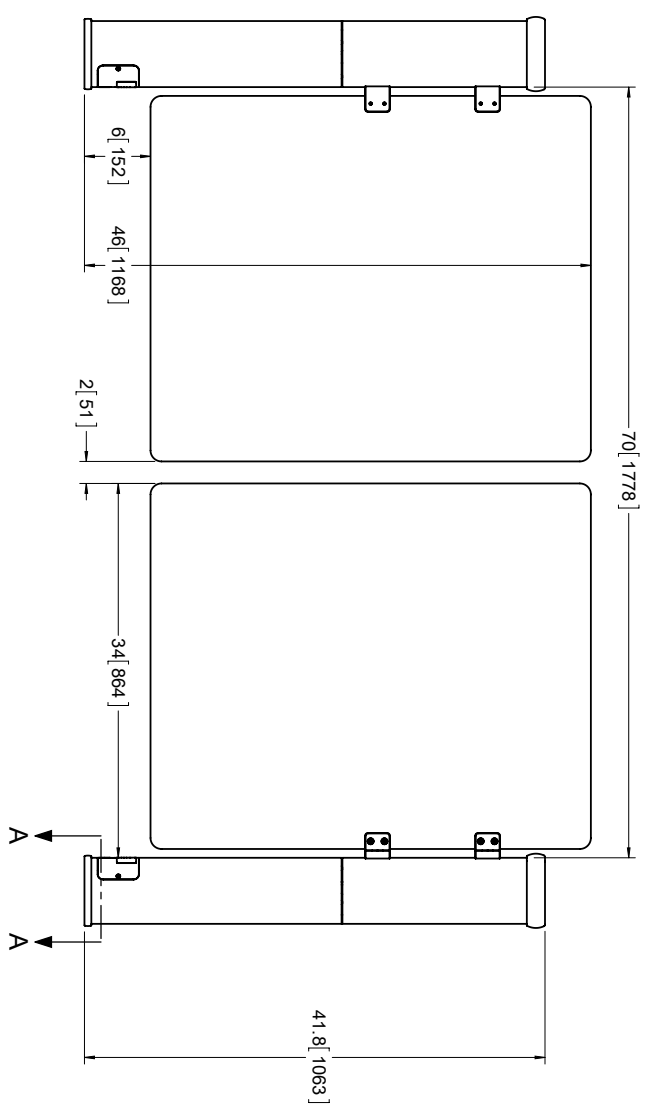
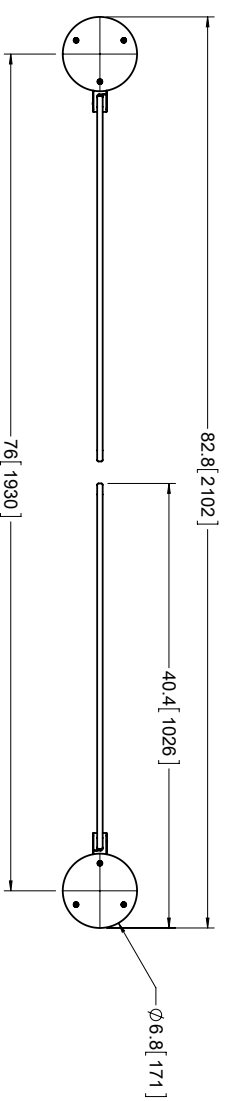
TITLE:

**SW1000T, MID HEIGHT
 BARRIERS**

NAME	DATE	SIZE	DWG. NO.	REV
DRAWN RGM	2/15/2016	B	PEF-571	A
CHECKED ENGR				

SCALE: 1:10

SHEET 1 OF 3



THIRD ANGLE PROJECTION

PROPRIETARY AND CONFIDENTIAL
THE INFORMATION CONTAINED IN
THIS DRAWING IS THE SOLE
PROPERTY OF ALVARADO
MANUFACTURING, INC. ANY
REPRODUCTION IN PART OR AS A
WHOLE WITHOUT THE WRITTEN
CONSENT OF ALVARADO
MANUFACTURING, INC. IS
PROHIBITED.

DO NOT SCALE DRAWING

ALVARADO

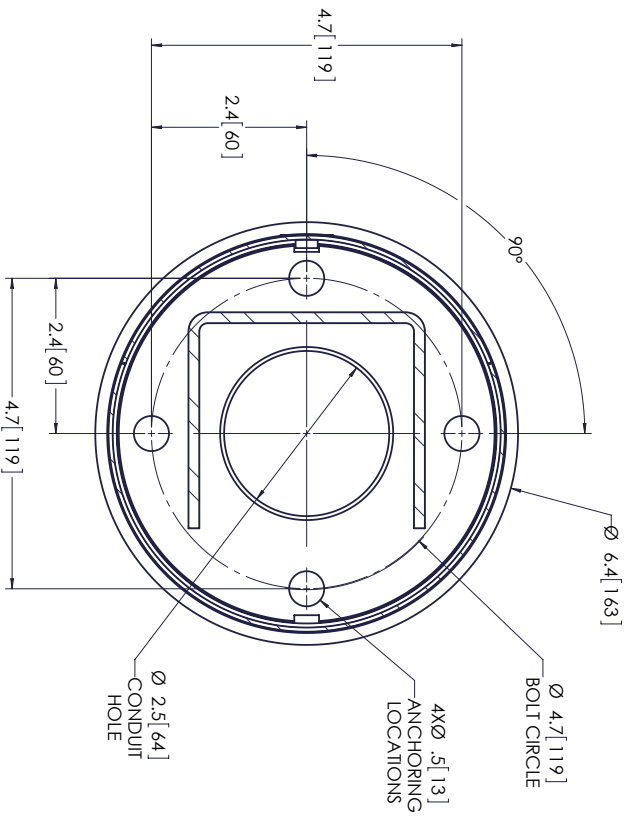
Alvarado Mfg. Co. Inc.
12860 Colony Street, Chino, CA 91710
909 591 8431 - 909 628 1403 (Fax)
www.alvaradomfg.com

TITLE:
**SW1000T, MID HEIGHT
BARRIERS**

NAME	DATE	SIZE	DWG. NO.	REV
DRAWN RGM	2/15/2016	B	PEF-571	A
CHECKED ENGR				

SCALE: 1:12

SHEET 2 OF 3



SW1000
SECTION A-A
DO NOT SCALE

THIRD ANGLE PROJECTION

PROPRIETARY AND CONFIDENTIAL
THE INFORMATION CONTAINED IN
THIS DRAWING IS THE SOLE
PROPERTY OF ALVARADO
MANUFACTURING, INC. ANY
REPRODUCTION IN PART OR AS A
WHOLE WITHOUT THE WRITTEN
CONSENT OF ALVARADO
MANUFACTURING, INC. IS
PROHIBITED.

DO NOT SCALE DRAWING

ALVARADO

Alvarado Mfg. Co. Inc.
12860 Colony Street, Chino, CA 91710
909 591 8431 - 909 628 1403 (Fax)
www.alvaradomfg.com

TITLE:

SW1000T, MID HEIGHT
BARRIERS

NAME	DATE	SIZE	DWG. NO.	REV
DRAWN RGM	2/15/2016	B	PEF-571	A
CHECKED				
ENGR				

SCALE: 1:12

SHEET 3 OF 3